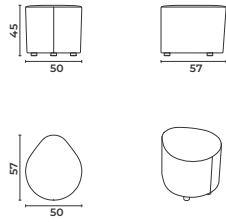


# Cluster

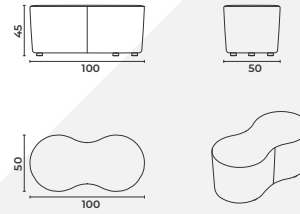
By Mustafa Timur

Marwood | 

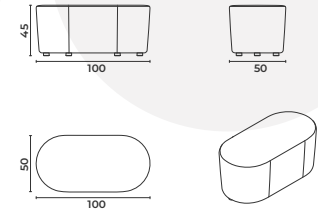
Cluster\_50X57H45



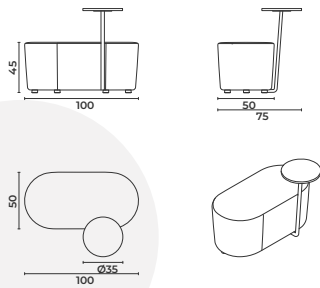
Cluster\_T\_100X50H45



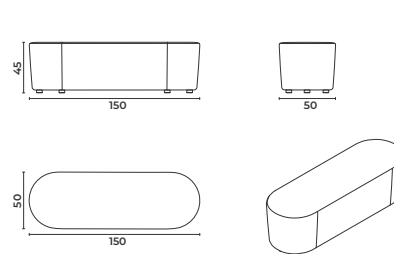
Cluster\_100H45



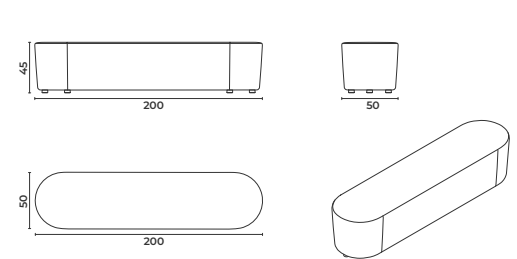
Cluster\_100H45\_Ct



Cluster\_150H45



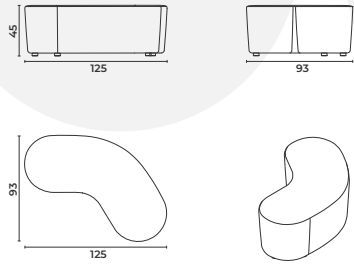
Cluster\_200H45



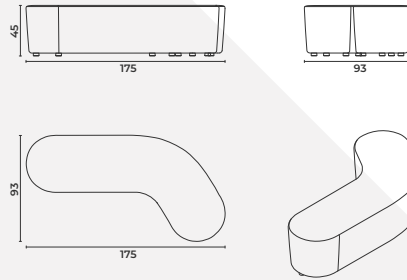
# Cluster

By Mustafa Timur

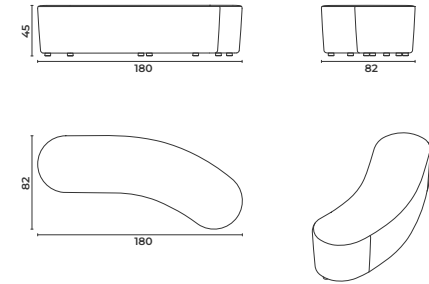
Cluster\_125X93H45



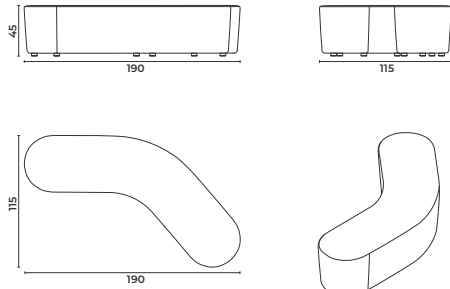
Cluster\_175X93H45



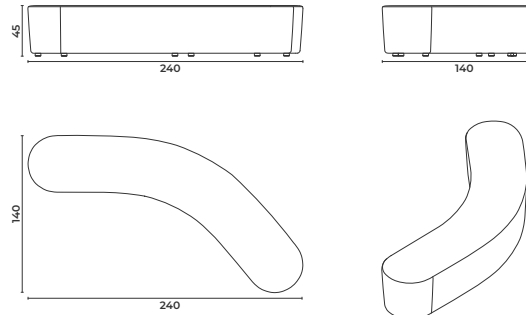
Cluster\_180X82H45



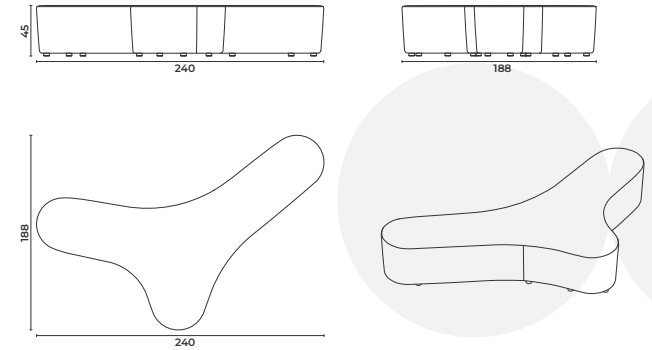
Cluster\_190X115A130H45



Cluster\_240X140A130H45



Cluster\_240X188H45

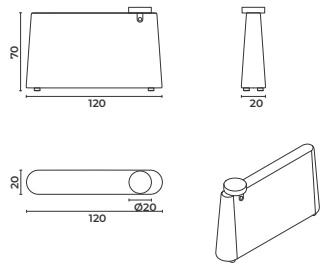


# Cluster

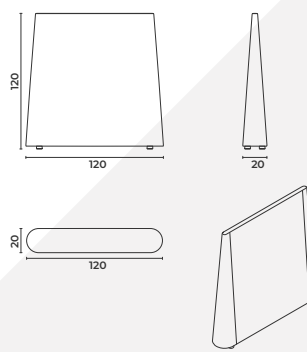
By Mustafa Timur

Marwood | 

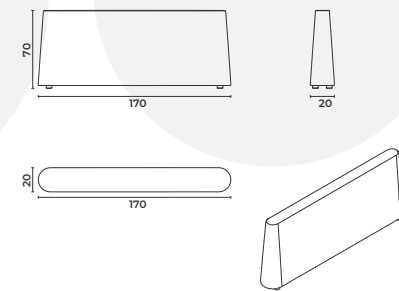
Cluster\_120H70



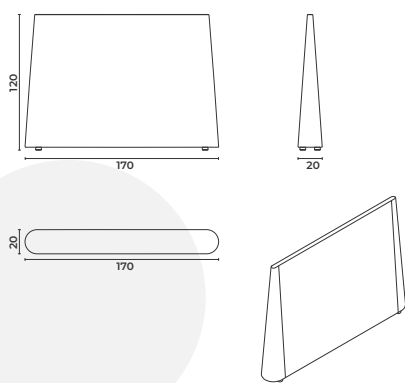
Cluster\_120H120



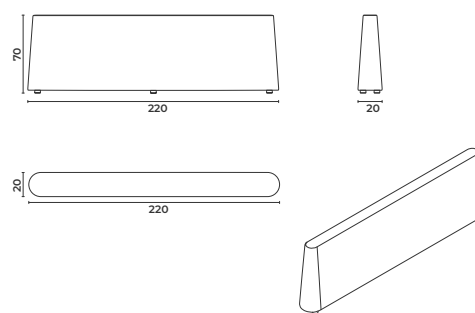
Cluster\_170H70



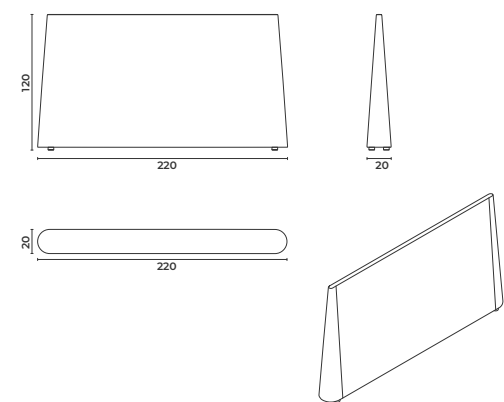
Cluster\_170H120



Cluster\_220H70



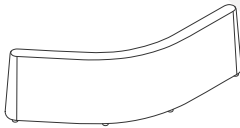
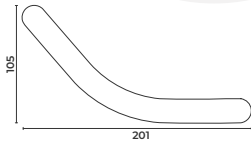
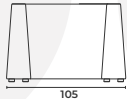
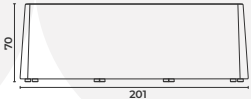
Cluster\_220H120



# Cluster

By Mustafa Timur

Cluster\_201X105A130H70



Cluster\_201X105A130H120

